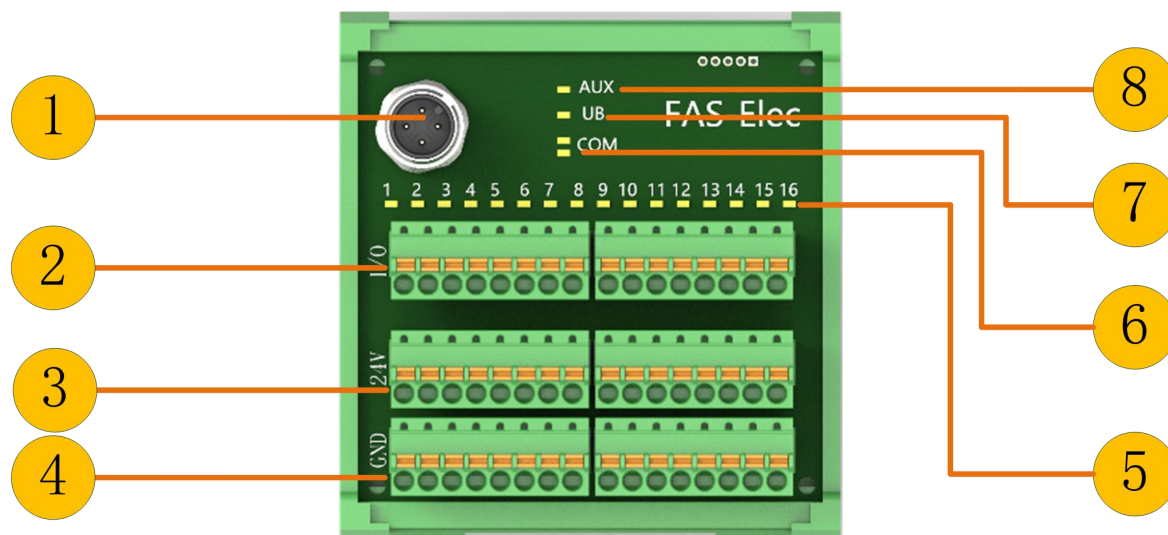


FNI_IOL-310-S01-K024 00BH11

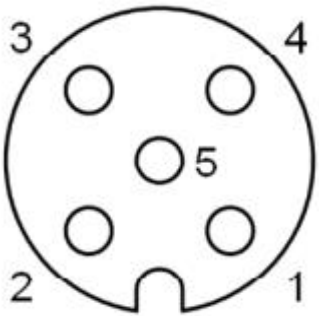
User 's manual

1. Connection diagram



- 1 IO-Link Interface
- 2 I/O connecting terminal
- 3 Sensor supply 24V connecting terminal
- 4 Sensor supply GND connecting terminal
- 5 Indicator light:Input/Output
- 6 Indicator light:IO-Link communication
- 7 Indicator light:Sensor supply
- 8 Indicator light:Actuator supply

2. IO-Link Interface definition

IO-Link(Class A)	Pin	Description	Wire Color
	1	Sensor supply	Brown
	2	Actuator supply	White
	3	GND	Blue
	4	C/Q IO-Link	Black
	5	Not connected	-

3. IO-Link Data

3.1 Parameter

Baud rate	COM2 (38.4kbit/s)
Cycle time(Minimum)	3ms
Process data Cycle time	3ms
Process data length	2 Byte Input, 2 Byte Output

3.2 Process data

Digital I/O Pin	Input Data	Output Data
1	Byte0 Bit0	Byte0 Bit0
2	Byte0 Bit1	Byte0 Bit1
3	Byte0 Bit2	Byte0 Bit2
4	Byte0 Bit3	Byte0 Bit3
5	Byte0 Bit4	Byte0 Bit4
6	Byte0 Bit5	Byte0 Bit5
7	Byte0 Bit6	Byte0 Bit6
8	Byte0 Bit7	Byte0 Bit7
9	Byte1 Bit0	Byte1 Bit0
10	Byte1 Bit1	Byte1 Bit1
11	Byte1 Bit2	Byte1 Bit2
12	Byte1 Bit3	Byte1 Bit3
13	Byte1 Bit4	Byte1 Bit4
14	Byte1 Bit5	Byte1 Bit5
15	Byte1 Bit6	Byte1 Bit6
16	Byte1 Bit7	Byte1 Bit7

3.3 Identification/Parameter data

	SPDU		Object name	length	Range	Default value
	Index	Sub Index				
	/	/	Supplier ID	2	/	0x0454
	/	/	Device ID	3	/	0x099CE2
Identification data	0x10	0	Supplier Name	19	Read only	FAS (Fujian)Co. ,LTD
	0x11	0	Supplier Text	16		www.fas-elec.com
	0x12	0	Product name	13		FNI IOL-310-S01-K024
	0x13	0	Product ID	5		00BH11
	0x14	0	Product Text	44		IO-Link DI/DO
	0x16	0	Hardware Version	3		20211105
	0x17	0	Firmware Version	3	2.01	
Parameter data	0x40	0	Bit inversion	2	0x0000~ 0xFFFF	0x0000
	0x41	0	Input/Output Setting	2	0x0000~ 0xFFFF	0x0000

Note

1. 0x40 Bit inversion : bit=0 not reverse, bit=1 reverse.

For example:

The external input is 0x0000. When 0x40 is 0x0000, the value is 0x0000 (not reverse), and when 0x40 is 0xFFFF, the value is 0xFFFF (reverse).

2. 0x41 Input/Output Setting: bit=0 input, bit=1 output.



3.4 Error code

Device application error code 0x80:

Additional code:

0x11 index not available

0x12 sub index not available

0x30 Value Out of range

3.5 Event

Class/Qualifier			Code(High Bit + Low Bit)			
Pattern	Type	Instance				
Appear	Error	AL	Hardware	Power supply	Low voltage	U2=power supply
0xC0	0x30	0x03	0x5000	0x0100	0x0010	0x0002
0xF3			0x5112			
Disappear	Error	AL	Hardware	Power supply	Low voltage	U2=power supply
0x80	0x30	0x03	0x5000	0x0100	0x0010	0x0002
0xB3			0x5112			
Appear	Error	AL	Hardware	Power supply	Peripheral power supply	
0xC0	0x30	0x03	0x5000	0x0100	0x0060	
0xF3			0x5160			
Disappear	Error	AL	Hardware	Power supply	Peripheral power supply	
0x80	0x30	0x03	0x5000	0x0100	0x0060	
0xB3			0x5160			